

XT100

INDICATOR and 1 STAGE DIGITAL CONTROLLERS



C: 32x74mm

D: 4 DIN Rail

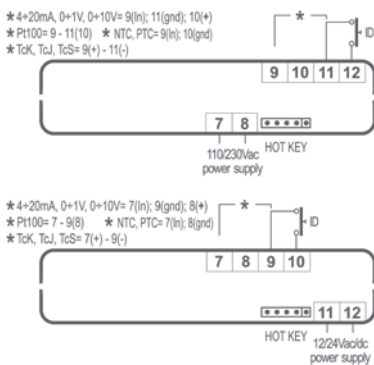
R: 72x72mm

XA100C	Configurable digital indicator
XT110C XT110D	ON/OFF configurable digital 1 stage controllers
XT111C XT111D XT111R	ON/OFF configurable digital 1 stage controllers with alarm relay

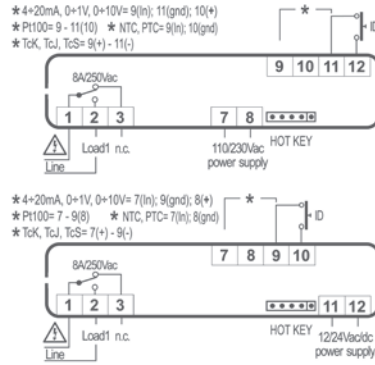
FEATURES	XA100C	XT110C	XT110D	XT111C	XT111D	XT111R
Display: n° digits	± 3½ d.p.	± 3½ d.p.	± 3½ d.p.	± 3½ d.p.	± 3½ d.p.	± 3½ d.p.
Power supply	12, 24Vac/dc 110, 230Vac	12, 24Vac/dc 110, 230Vac	24Vac/dc 24, 110, 230Vac	12, 24Vac/dc 110, 230Vac	24Vac/dc 24, 110, 230Vac	24Vac/dc 24, 110, 230Vac
Probe inputs						
NTC, PTC, Pt100, TcJ, TcK, TcS, 4÷20mA, 0÷1V, 0÷10V	config	config	config	config	config	config
Relay outputs						
Stage 1		8A	no 8A / nc 5A	8A	no 8A / nc 5A	8A
Stage 2						
Stage 3						
Stage 4						
Alarm				8A	no 8A / nc 5A	8A
Other						
Digital input	pres	pres	pres	pres	pres	pres
Hot Key/Prog Tool Kit output	pres	pres*	pres	pres*	pres	pres
Serial output	TTL	TTL*	TTL	TTL*	TTL	TTL
Analog output			4÷20mA opt		4÷20mA opt	4÷20mA opt
Buzzer	opt	opt	opt	opt	opt	opt

*: Prog Tool Kit output and serial output only for models with 12/24Vac/dc probe supply

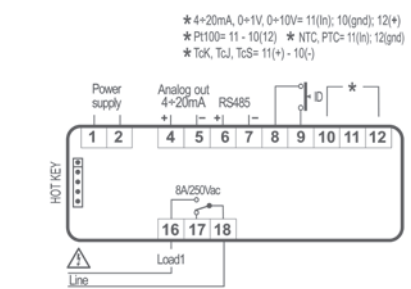
XA100C



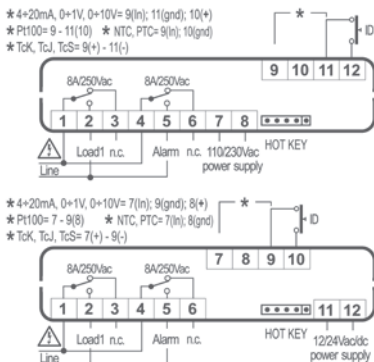
XT110C



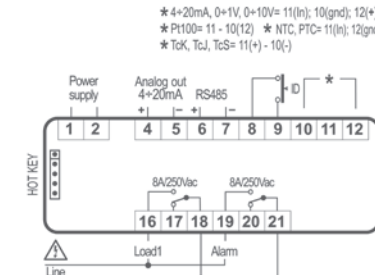
XT110D



XT111C



XT111D



XT111R

