



EPM-34

- .../5A and .../1A
- 24-240V AC/DC
- Class 0,5
- IP54



EVM-35

- 24-240V AC/DC
- Class 0,5
- IP54

Product Code

	3 x V	3 x I	Cosφ	Hz Frequency	I neutral	Demand	Dual Demand	Max. Values	Min. Values	Alarm Contact	Under / Over Voltage Protection	Under / Over Current Protection	Under / Over Frequency Protection	RS-485 Comm.	.../5A	.../1A	CT-25 (210A)	4 Digits Display	5 Digits Display	24-250V AC/DC	Flush Mount	Rail Mount	Pcs / Carton
--	-------	-------	------	--------------	-----------	--------	-------------	-------------	-------------	---------------	---------------------------------	---------------------------------	-----------------------------------	--------------	--------	--------	--------------	------------------	------------------	---------------	-------------	------------	--------------

EPM-04 -96	•	•		•	•	•		•	•						•		•						12
EPM-04 -DIN	•	•		•	•	•		•	•						•		•					•	12
EPM-04C-96 (new)	•	•		•	•	•		•	•						•		•						12
EPM-04C-DIN (new)	•	•		•	•	•		•	•						•		•					•	12
EPM-04S-96 (new)	•	•		•	•	•		•	•						•		•						12
EPM-04S-DIN (new)	•	•		•	•	•		•	•						•		•					•	12
EPM-06 -96	•	•	•	•		•		•	•						•		•						12
EPM-06 -DIN	•	•	•	•		•		•	•						•		•					•	12
EPM-06C-96 (new)	•	•	•	•		•		•	•						•		•						12
EPM-06C-DIN (new)	•	•	•	•		•		•	•						•		•					•	12
EPM-06S-96 (new)	•	•	•	•		•		•	•						•		•						12
EPM-06S-DIN (new)	•	•	•	•		•		•	•						•		•					•	12
EPM-34 -96 (new)		•				•									•	•		•		•	•	•	12
EVM-35 -96 (new)	•																		•	•	•		12

• Optional - Min. Order Quantity is 200pcs/device.



EPM-06C-DIN

- MD  
Max. Demand
- Modbus
- Alarm Contact

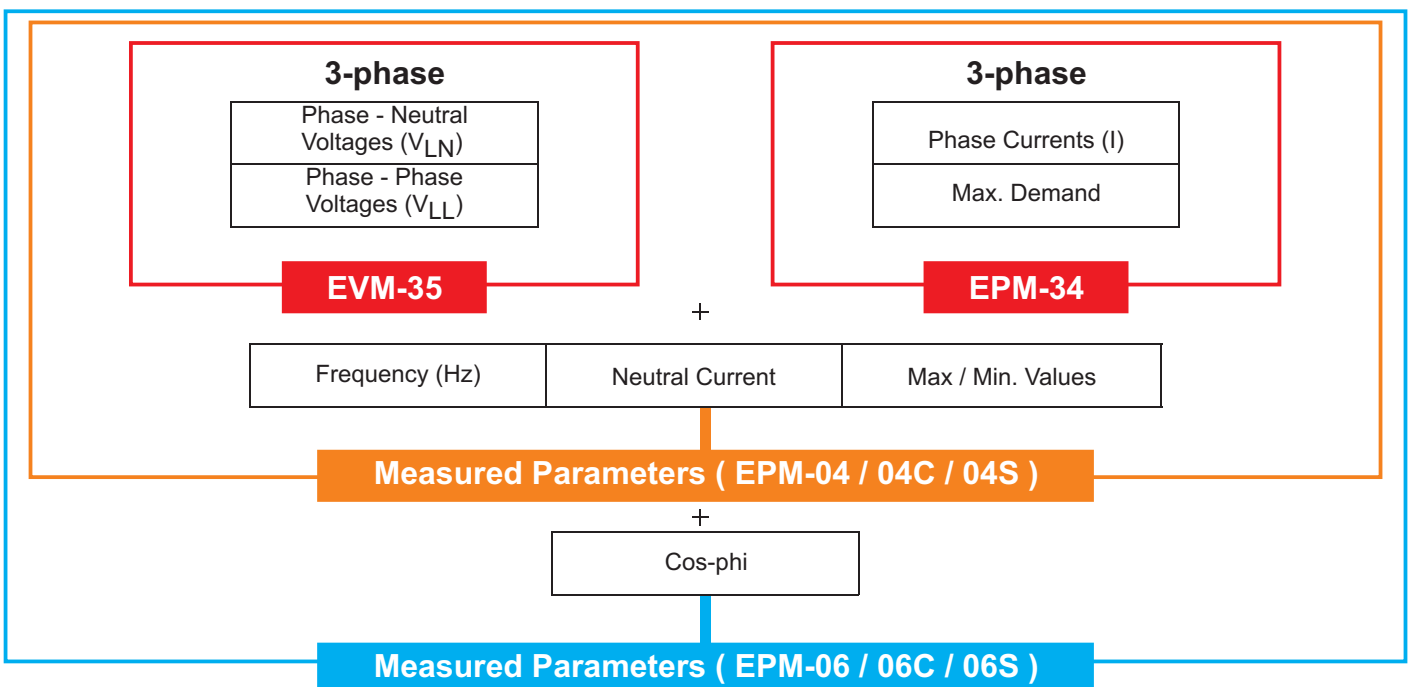


EPM-06S

# DIGITAL MULTIMETERS

## EPM-04 / EPM-06 / EVM-3x Series

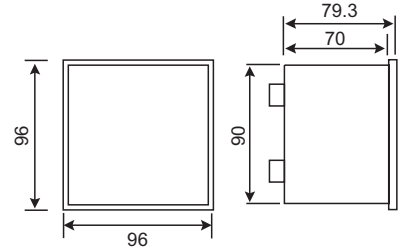
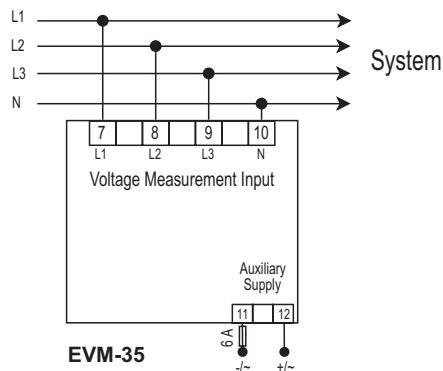
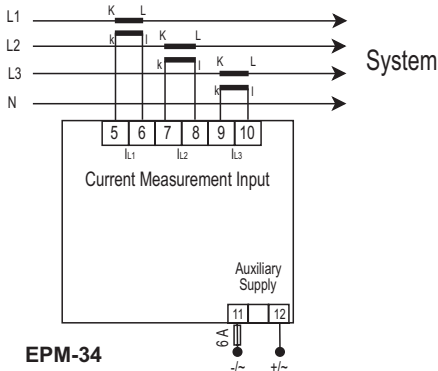
MODELS	(new)	(new)	(new)	(new)	(new)	(new)	(new)		
	EPM-04	EPM-04C	EPM-04S	EPM-06	EPM-06C	EPM-06S	EPM-34	EVM-35	
<b>SPECIFICATIONS</b>									
<b>Functions</b>									
Programmable Hysteresis		•	•	•	•	•			
Instant Tripping Feature		•	•	•	•	•			
Programmable CT Primary Value	•	•	•	•	•	•	•		
Programmable Voltage Tr. Ratio	•	•	•	•	•	•		•	
Programmable Demand Time	•	•	•	•	•	•	•		
Demurrage Delay		•	•	•	•	•			
Fault & Fault Recovery Delay		•	•	•	•	•			
Latch Function		•	•	•	•	•			
Password Protection for Setup	•	•	•	•	•	•	•	•	
Phase Sequence Protection		•	•		•	•			
RS-485 Communication			•			•			
<b>Electrical Parameters</b>									
Operating Voltage(Un)	230 V AC $\pm 10\%$ , 50/60 Hz						24-250V AC/DC		
Network Type	3-phase / 4-wire (Star)								
Accuracy	1% $\pm 1$ digit						0,5% $\pm 1$ digit		
Voltage Transformer Ratio	1...2000						-	0,1...400,0	
Current Transformer Ratio	1...2000						1...1000		
Measurement Ranges							-	-	
Current	50 mA - 5,5 A						5mA...5000A(.../5A) 5mA...1000A(.../1A)		
Voltage	10 - 300 V AC (L-N) ; 10 - 500 V AC (L-L)						-	1V-40 kV	
Frequency	45 - 65 Hz						-		
Demand Time	1 - 60 min. (Programmable)						-		
Dual Demand Time	-						1-60 min. 1-60 sec.	-	
Output Contact	-	5 A, 1250 VA		-	5 A, 1250 VA		-		
Display	-	Red LED, 10 mm Height						Red LED, 12 mm	
<b>Mechanical Parameters</b>									
Equipment Protection	Double Insulation, Measurement Category III								
Ambient Operating Temperature	-5°C, +50°C								
Degree of Protection	IP40 (front panel)						IP54 (front panel)		
Dimensions	96x96 mm (PR19), DIN6 / PK26						96x96 mm (PR19)		
Weight / each	0,4 kg (PR19), 0,6 kg (PR16), 0,4 kg (DIN6)						0,4 kg (PR19)		
Quantity in 1 package	12 pcs (PR19), 12 pcs (DIN6 / PK26)						12 pcs (PR19)		



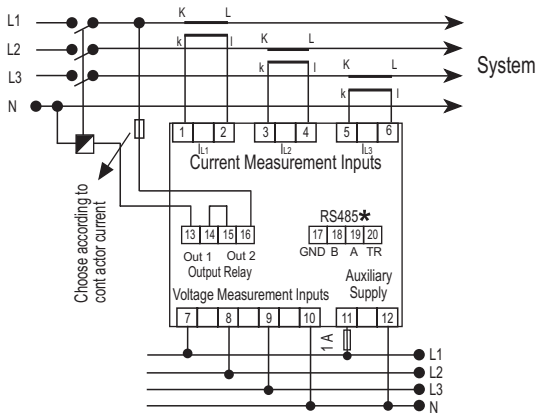
Connection Diagram

(PR19- 96x96mm)

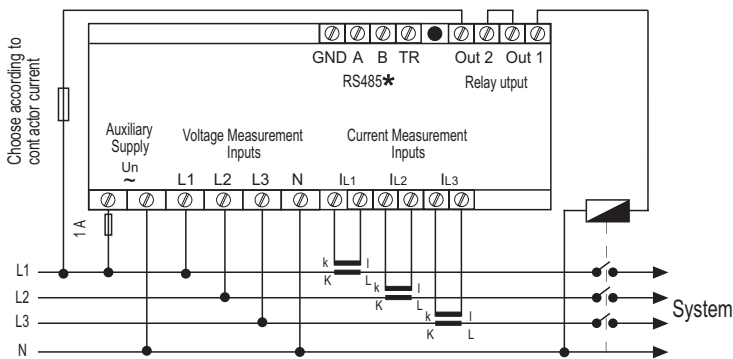
Dimensions



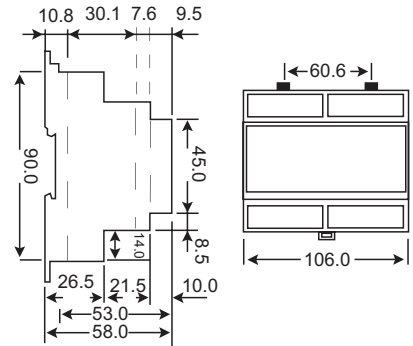
TYPE PR 19



EPM-04S / EPM-06S



EPM-04S DIN / EPM-06S DIN



TYPE DIN / PK 26

Connection diagrams are given for reference. Please always check the latest user manual given with product or download from [www.entec.com.tr](http://www.entec.com.tr).